



Threshold

Thermal Break Panic Offset

S568 – Grey Vinyl, Black Polyprene, Black Polyurethane, or Grey Pile

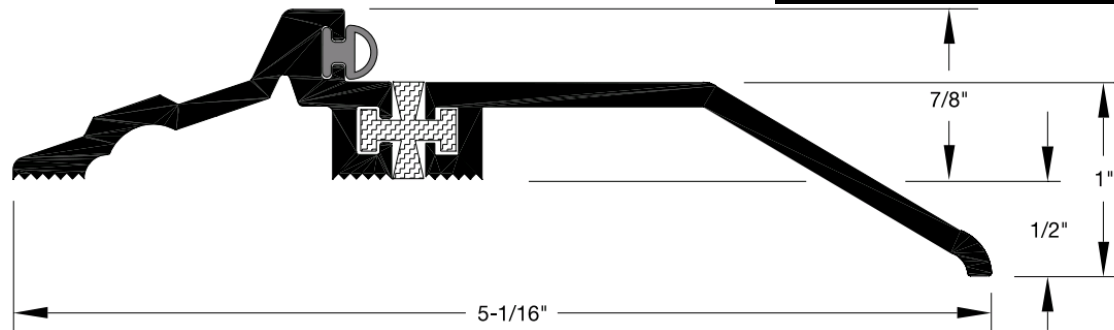


Finishes:

- A - Aluminum Mill Finish
- D - Dark Bronze Anodized Aluminum

Flexible vinyl spline divides the two pieces of aluminum.

Job:
Prepared For:
Prepared By:
Date:
Remarks:



Guaranteed quality since 1918

#10 x 1-1/2" wood screws provided.